

**PCBP012**

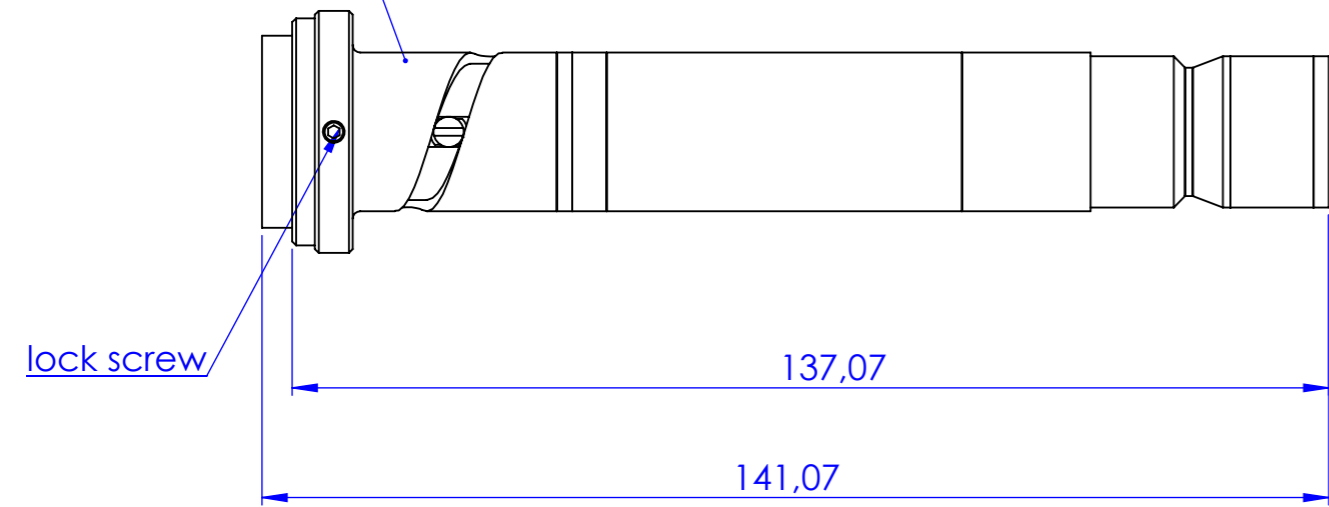
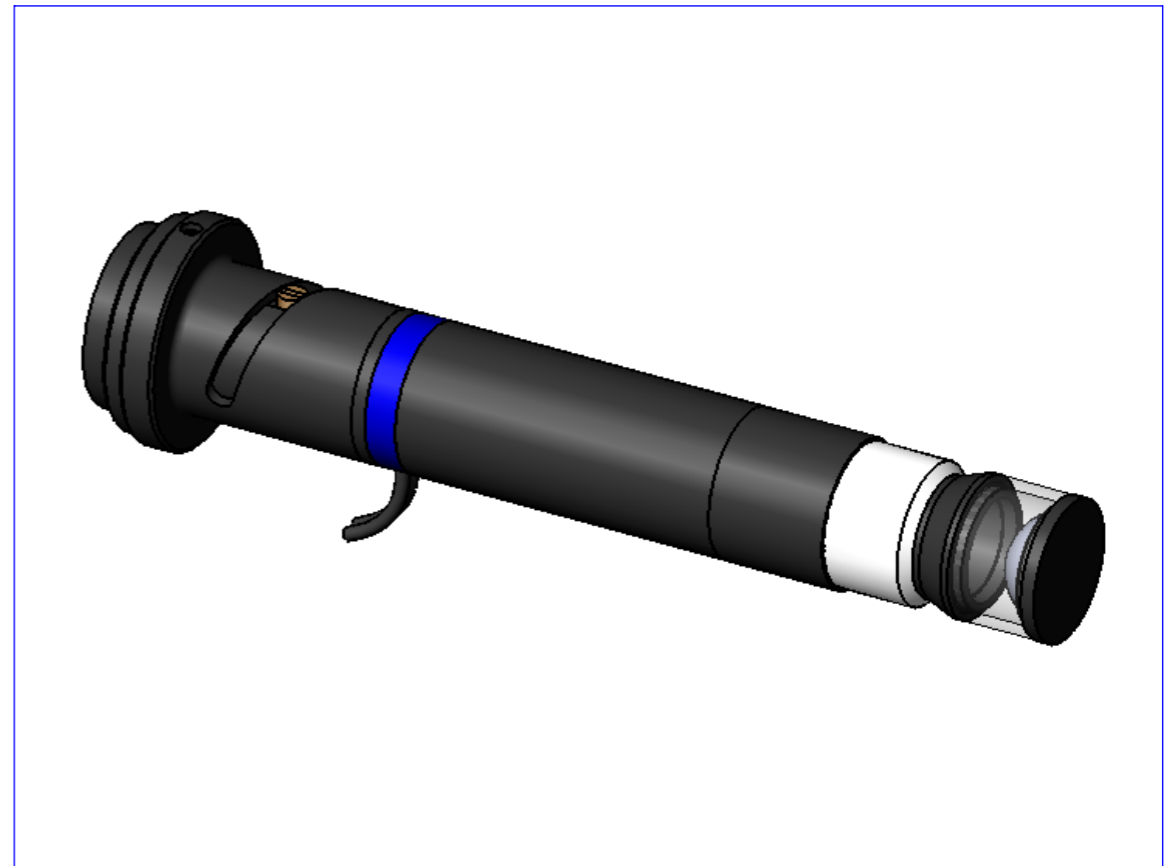
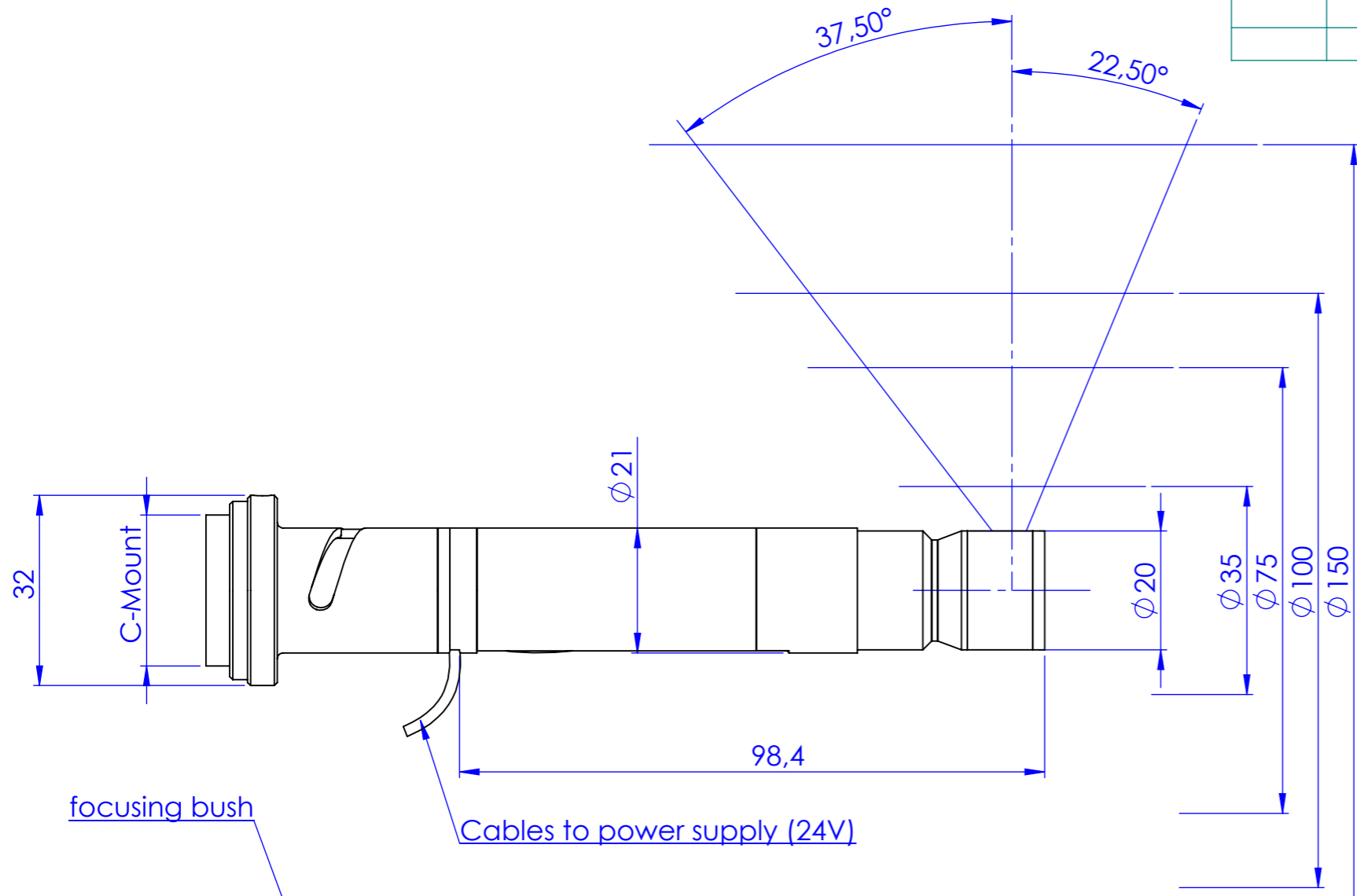
# Boroscopic Probe for 1/2" detectors



part number		PCBP012
<b>Detector Size</b>		1/2"
<b>min. FOV (diam x height)</b>	(mm x mm)	25 x 9
<b>max. FOV (diam x height)</b>	(mm x mm)	100 x 53
<b>Wavelength range</b>	(nm)	450 .. 650
<b>Viewing Angle</b>	(deg)	60
<b>CTF @ 50 lp/mm</b>	(%)	> 20
<b>F-number</b>		16
<b>Diameter</b>	(mm)	21,0
<b>Length</b>	(mm)	137,0
<b>Weight</b>	(g)	92
<b>Mount</b>		C
<b>LED Voltage</b>	(volt)	16 .. 24
<b>LED Power</b>	(watt)	<2,0

1 2 3 4 5 6 7 8

Rev No.	Description	Date	Name
A	New Assembly	27/04/10	N. Santini



Material	N.A.			Mass	91 g	Scale	1:1
Surface treatment	N.A.			Project-Prod.item/Instrument		PCPB012	
Geometrical tolerance (ISO 2768-2)			Class	K	Description		
Linear tolerance (ISO 2768-2)			Class	m	0.5x45°	Pericentric boroscope	
0.5	>3±	>6±	>30±	>120	>400±	>1000	>2000
±3	6	30	120	±400	1000	±2000	±4000
±0.1	±0.1	±0.2	±0.3	±0.5	±0.8	±1.2	±2
Undimensioned bevels			Undimensioned radii		R 0.5		
			Date	Name	Drawing No.	Sheet	
Designed			27/04/10	N. Santini	19401-0-A	1/1	
Draw			27/04/10	N. Santini		Reproduction forbidden without specific authorization	
Checked			X	C.Sedazzari		http://www.opto-engineering.com	
OPTO ENGINEERING S.r.l. - 46100 Mantova Italy - Via Cremona, 29/2 - Tel. +39 0376 263565 - e-mail: info@opto-engineering.com							

1 2 3 4 5 6 7 8

0 1 2 3 4 5 6 7 8 9 10